



MEASURE – INSIDE MOUNT SHUTTERS

Shutters so good, you won't believe you've done it yourself

What's an Inside Mount?

Inside mount refers to the **direction** of the pre-drilled fixing holes in the shutter frame. The frame can be installed at the front of the recess to allow the panels to open back 180 degrees and sit back against the interior wall or alternatively the frame can be installed tight up to the window. Frames with Inside mount fixing holes are for windows which have a recess or a reveal.

What You'll Need...

- A good quality metal tape measure
- A pen and paper (or print our measure form at the end of this document)
- A spirit level is also a good item to have on hand

Now let's measure inside the recess...

- Measure width from left to right, in 3 different locations, select the **SMALLEST** width.
- Measure height from window sill to the top, in 3 different locations, select the **SMALLEST** height.
- We deduct 4mm from your smallest width & height as standard for inside mount shutters. This deduction should allow ease when fitting the frame in. No deductions are made at the factory for outside mount shutters.
- If you have an inward opening window, please speak to our team for expert advice.

It's a good idea to...

Measure, note your sizes, take a break and come back later to double check you've done it right!

Take a look on the next page to see how the frames work.

Never be stuck! We're here to help

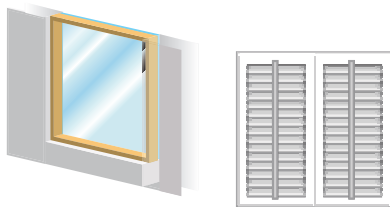


MEASURE – INSIDE MOUNT SHUTTERS

An **Inside Mount frame** fits inside a window recess or reveal. It can be screwed into the side walls, down into the window sill and up into the top of recess. The shutter panels then hinge inside the shutter frame.

There are different frame styles. Some will work better for your window type, others you may simply prefer the look of. Along with the frame style, you can choose how many sides of frame you will have.

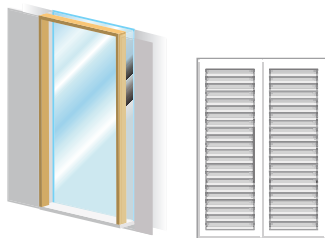
Here's what we recommend...



Window : 4 sided frame

- Full height shutters
- Tier on tier shutters

Fitted within a 4 sided frame

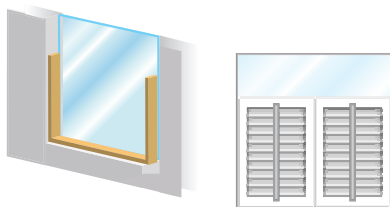


Window : 3 sided frame

- Full height door shutters

Fitted within a 3 sided frame

No bottom piece



Window : 3 sided frame

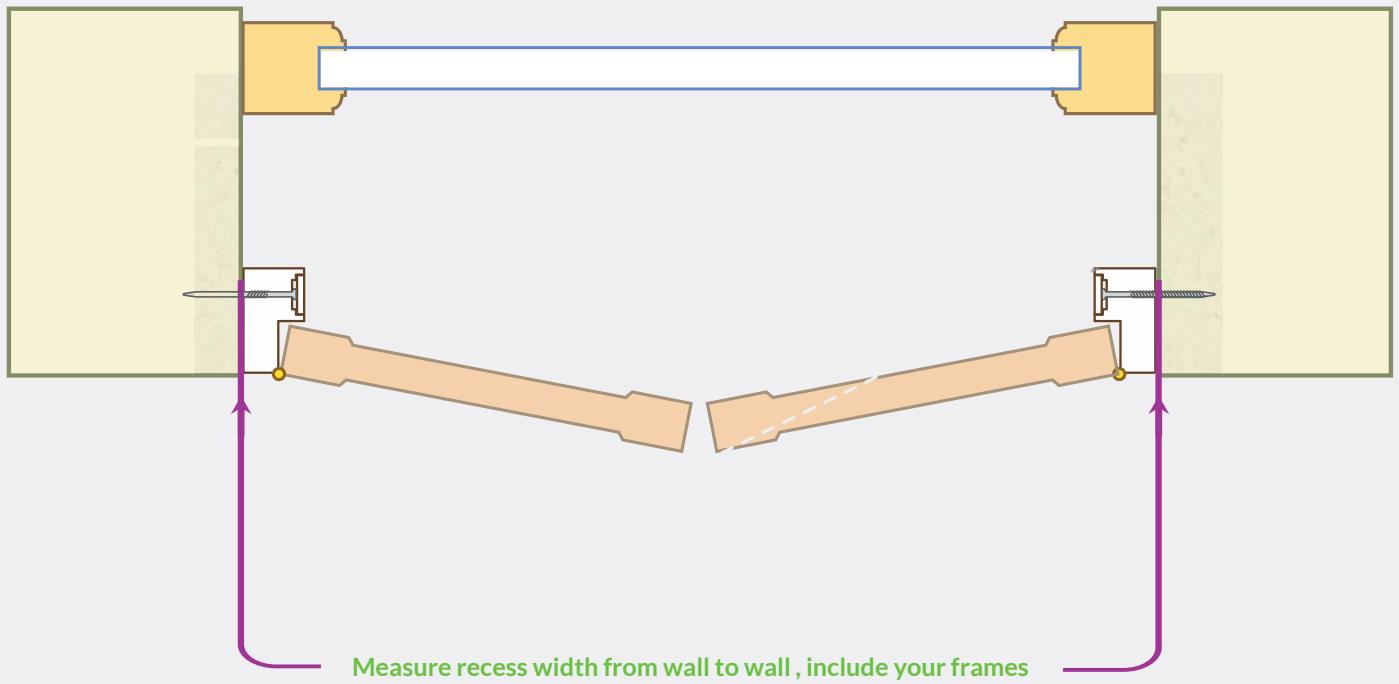
- Café style or half height shutters

Fitted within a 3 sided frame

No top piece

Never be stuck! We're here to help

L Frame



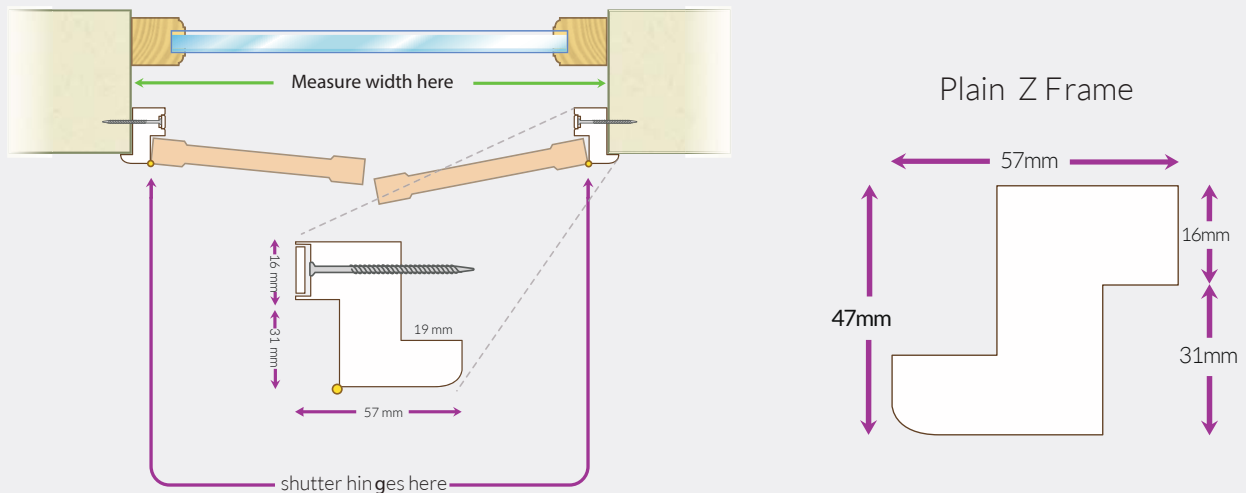
The **L Frame** usually positioned at the front of the recess opening.

Never be stuck! We're here to help

MEASURE – INSIDE MOUNT SHUTTERS

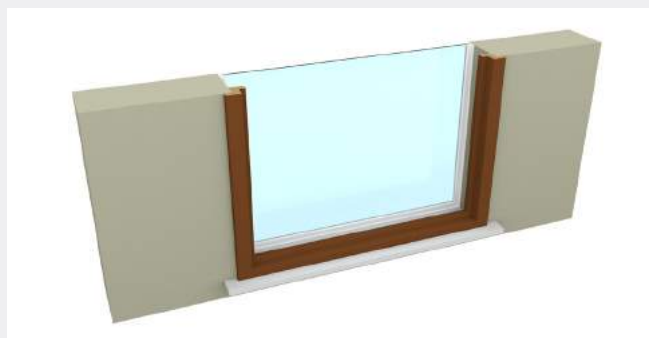
Z Frame (with Inside Mount predrilled holes)

This **semi recessed** frame is installed inside the recess and wraps itself around the front of your recess opening. It's a super easy frame to install and can help hide uneven walls behind the 'lip' which wraps around the front opening.



The Z frame must sit at the front of the recess opening. Never worry about including the 19mm overhang 'lip' of the frame in your sizes. Simply measure the width and height, **INSIDE** the recess as per the bird's eye illustration shown.

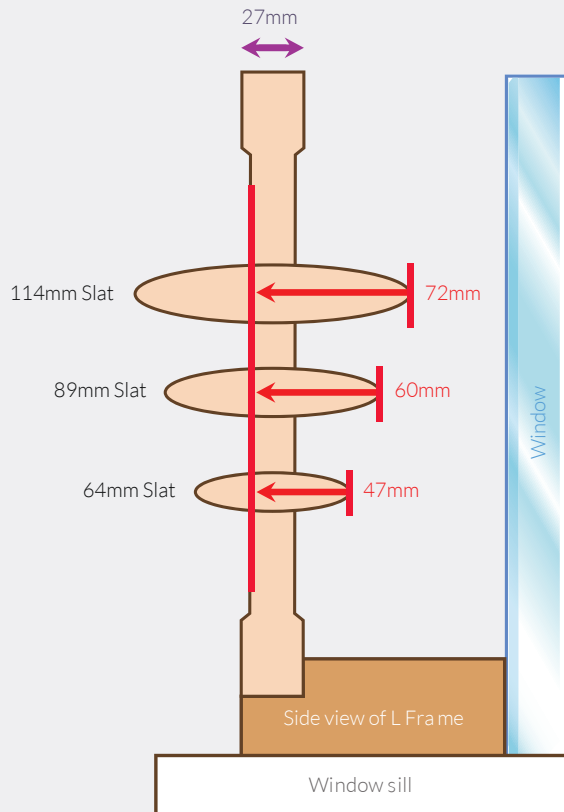
You can request an adaptation to the Z frame. Manufacturing can supply the frame with no overhang lip on 1 or more sides of the frame. This adaption can be useful when fitting the Z frame into a recess opening that has a protruding sill. The image below shows a finished 3 sided Z frame installed with the bottom over hang lip removed. The left and right frame side retain the overhang lip.



Never be stuck! We're here to help

Selecting The Right Shutter is as easy as 1, 2, 3

- 1) Choose your shutter range Hinged, Bi Fold or PVC
- 2) Choose your blade size ... 64mm, 89mm or 114mm blade.
- 3) Choose your frame and colour



The diagram above helps to illustrate why different blade sizes require different frame depths.

Our dimension shown in **RED** confirms the clearance space **each different blade size** needs. We offer different depths of frame to allow the bigger blades to tilt without hitting the window or any handles or window winders you have. Remember this when choosing your divider rail height if in your design.

- **114mm** slat needs a minimum of **72mm frame space**
- **89mm** slat needs a minimum of **60mm frame space**
- **64mm** slat needs a minimum of **47mm frame space**

Never be stuck! We're here to help

MEASURE – INSIDE MOUNT SHUTTERS

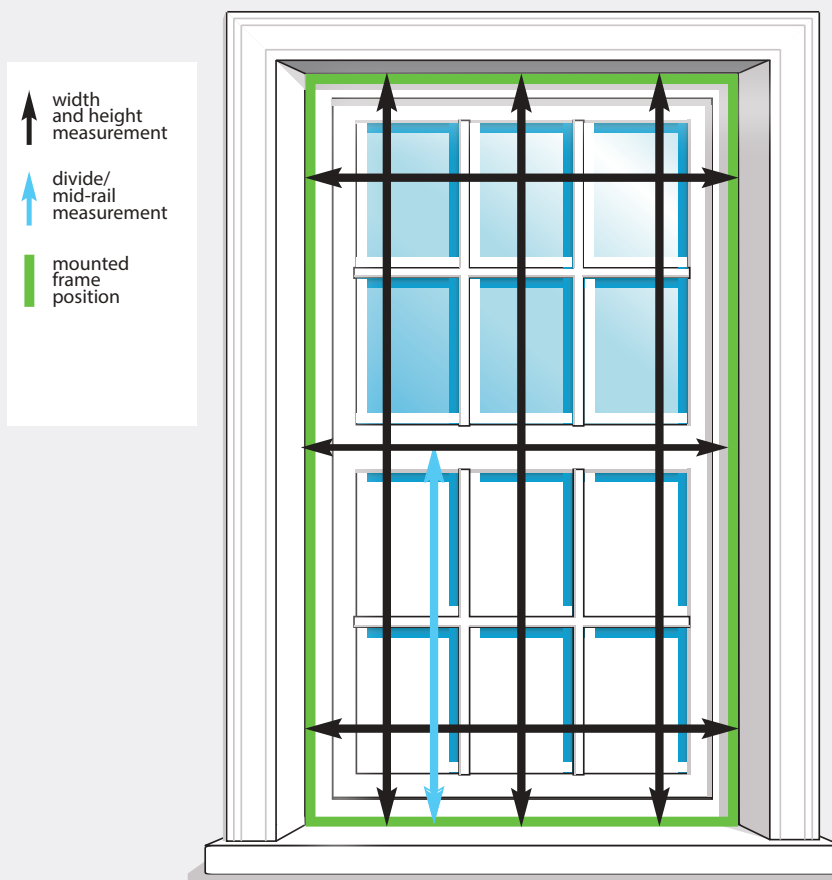
Let's Measure!

- Measure the recess **WIDTH & DROP** as per the **BLACK** lines. Measure in 3 different places. Note the **smallest dimensions** you find.

- If requesting a **MIDRAIL/DIVIDER RAIL**, measure from the bottom up to the middle point of where you'd like the midrail inserted in the panel (as per the **BLUE** line)

Mid rails give flexibility, allowing the blades above and below the mid rail to move independently. Mid rails can be inserted to cover handles or add strength to taller panels. Note: Manufacturing occasionally need to move your requested location by half a louver size in order to supply shutters within limitation and warranty. Speak to our team if your requested location must NOT move.

- To order a **Café Style** (half height) or a **Tier on Tier** (double hung) shutter you will need to measure from the bottom up to where you would like the bottom panel to finish, as per the **GREEN** line. **Tier on tier** allows the top panel to open back independently from the lower panel.

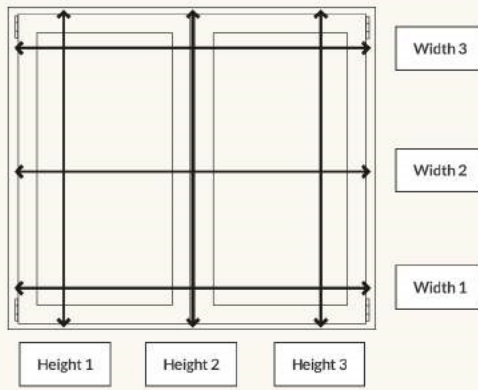


Never be stuck! We're here to help



Measure, install and save

Example of where to measure your windows



How to measure your windows

1. Measure three heights and three widths as shown in the example diagram .
2. Provide the smallest Height .
3. Provide the smallest Width.

DRAW YOUR WINDOWS AND SIZES HERE 

Never be stuck! We're here to help

✉ help@diyplantationshutters.com.au

🌐 www.diyplantationshutters.com.au